

# 800MHz Low Distortion, Low Noise Differential Amplifier/ADC Driver ( $A_V = 2V/V$ )

## FEATURES

- 800MHz  $-3dB$  Bandwidth
- Fixed Gain of  $2V/V$  (6dB)
- Low Distortion:
  - 38dBm OIP3,  $-70dBc$  HD3 (70MHz,  $2V_{P-P}$ )
  - 51dBm OIP3,  $-94dBc$  HD3 (10MHz,  $2V_{P-P}$ )
- Low Noise: 12.3dB NF,  $e_n = 3.8nV/\sqrt{Hz}$  (70MHz)
- Differential Inputs and Outputs
- Additional Filtered Outputs
- Adjustable Output Common Mode Voltage
- DC- or AC-Coupled Operation
- Minimal Support Circuitry Required
- Small 0.75mm Tall 16-Lead  $3 \times 3$  QFN Package

## APPLICATIONS

- Differential ADC Driver for:
  - Imaging
  - Communications
- Differential Driver/Receiver
- Single Ended to Differential Conversion
- Differential to Single Ended Conversion
- Level Shifting
- IF Sampling Receivers
- SAW Filter Interfacing/Buffering

LT, LTC and LT are registered trademarks of Linear Technology Corporation. All other trademarks are the property of their respective owners.

## DESCRIPTION

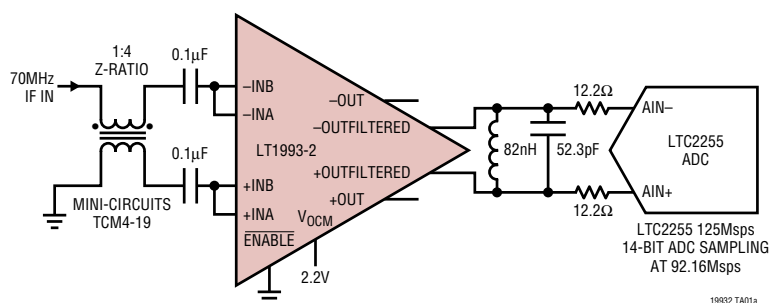
The LT<sup>®</sup>1993-2 is a low distortion, low noise Differential Amplifier/ADC driver for use in applications from DC to 800MHz. The LT1993-2 has been designed for ease of use, with minimal support circuitry required. Exceptionally low input-referred noise and low distortion products (with either single-ended or differential inputs) make the LT1993-2 an excellent solution for driving high speed 12-bit and 14-bit ADCs. In addition to the normal unfiltered outputs (+OUT and -OUT), the LT1993-2 has a built-in 175MHz differential low pass filter and an additional pair of filtered outputs (+OUTFILTERED, -OUTFILTERED) to reduce external filtering components when driving high speed ADCs. The output common mode voltage is easily set via the  $V_{OCM}$  pin, eliminating either an output transformer or AC-coupling capacitors in many applications.

The LT1993-2 is designed to meet the demanding requirements of communications transceiver applications. It can be used as a differential ADC driver, a general-purpose differential gain block, or in any other application requiring differential drive. The LT1993-2 can be used in data acquisition systems required to function at frequencies down to DC.

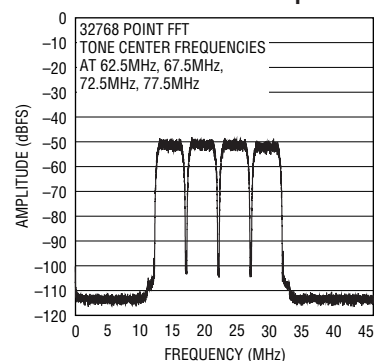
The LT1993-2 operates on a 5V supply and consumes 100mA. It comes in a compact 16-lead  $3 \times 3$  QFN package and operates over a  $-40^{\circ}C$  to  $85^{\circ}C$  temperature range.

## TYPICAL APPLICATION

4-Channel WCDMA Receive Channel



4-Tone WCDMA Waveform, LT1993-2 Driving LTC2255 14-Bit ADC at 92.16MSPs



**ABSOLUTE MAXIMUM RATINGS**

(Note 1)

Total Supply Voltage ( $V_{CCA}/V_{CCB}/V_{CCC}$  to  $V_{EEA}/V_{EEB}/V_{EEC}$ ) .....5.5V

Input Current (+INA, -INA, +INB, -INB,  $V_{OCM}$ ,  $\overline{ENABLE}$ ) .....±10mA

Output Current (Continuous) (Note 6)

+OUT, -OUT (DC) .....±100mA

(AC) .....±100mA

+OUTFILTERED, -OUTFILTERED (DC) .....±15mA

(AC) .....±45mA

Output Short Circuit Duration (Note 2) ..... Indefinite

Operating Temperature Range (Note 3) ... -40°C to 85°C

Specified Temperature Range (Note 4) .... -40°C to 85°C

Storage Temperature Range..... -65°C to 125°C

Junction Temperature ..... 125°C

Lead Temperature Range (Soldering 10 sec) ..... 300°C

**PACKAGE/ORDER INFORMATION**

TOP VIEW

UD PACKAGE  
16-LEAD (3mm x 3mm) PLASTIC QFN

$T_{JMAX} = 125^{\circ}C$ ,  $\theta_{JA} = 68^{\circ}C/W$ ,  $\theta_{JC} = 4.2^{\circ}C/W$   
EXPOSED PAD IS  $V_{EE}$  (PIN 17) MUST BE SOLDERED TO THE PCB

ORDER PART NUMBER	UD PART MARKING*
LT1993CUD-2 LT1993IUD-2	LBJG

**Order Options** Tape and Reel: Add #TR  
Lead Free: Add #PBF Lead Free Tape and Reel: Add #TRPBF  
Lead Free Part Marking: <http://www.linear.com/leadfree/>

Consult LTC Marketing for parts specified with wider operating temperature ranges.  
\*The temperature grade is identified by a label on the shipping container.

**DC ELECTRICAL CHARACTERISTICS** The ● denotes the specifications which apply over the full operating temperature range, otherwise specifications are at  $T_A = 25^{\circ}C$ .  $V_{CCA} = V_{CCB} = V_{CCC} = 5V$ ,  $V_{EEA} = V_{EEB} = V_{EEC} = 0V$ ,  $ENABLE = 0.8V$ , +INA shorted to +INB (+IN), -INA shorted to -INB (-IN),  $V_{OCM} = 2.2V$ , Input common mode voltage = 2.2V, no  $R_{LOAD}$  unless otherwise noted.

SYMBOL	PARAMETER	CONDITIONS	MIN	TYP	MAX	UNITS
<b>Input/Output Characteristics (+INA, +INB, -INA, -INB, +OUT, -OUT, +OUTFILTERED, -OUTFILTERED)</b>						
GD <sub>DIFF</sub>	Gain	Differential (+OUT, -OUT), $V_{IN} = \pm 0.8V$ Differential	● 5.8	6.08	6.3	dB
$V_{SWINGMIN}$		Single-Ended +OUT, -OUT, +OUTFILTERED, -OUTFILTERED. $V_{IN} = \pm 2.2V$ Differential	●	0.25	0.35	V
$V_{SWINGMAX}$		Single-Ended +OUT, -OUT, +OUTFILTERED, -OUTFILTERED. $V_{IN} = \pm 2.2V$ Differential	● 3.6	3.75		V
$V_{SWINGDIFF}$	Output Voltage Swing	Differential (+OUT, -OUT), $V_{IN} = \pm 2.2V$ Differential	● 6.5	7		$V_{P-P}$ $V_{P-P}$
$I_{OUT}$	Output Current Drive	(Note 5)	● ±40	±45		mA
$V_{OS}$	Input Offset Voltage		● -6.5	1	6.5	mV
$TCV_{OS}$	Input Offset Voltage Drift	$T_{MIN}$ to $T_{MAX}$	●	2.5		$\mu V/^{\circ}C$
$I_{VRMIN}$	Input Voltage Range, MIN	Single-Ended	●		-0.1	V
$I_{VRMAX}$	Input Voltage Range, MAX	Single-Ended	● 5.1			V
$R_{INDIFF}$	Differential Input Resistance		● 170	200	240	$\Omega$
$C_{INDIFF}$	Differential Input Capacitance			1		pF
CMRR	Common Mode Rejection Ratio	Input Common Mode -0.1V to 5.1V	● 45	70		dB

19932fa

**DC ELECTRICAL CHARACTERISTICS** The ● denotes the specifications which apply over the full operating temperature range, otherwise specifications are at  $T_A = 25^\circ\text{C}$ .  $V_{CCA} = V_{CCB} = V_{CCC} = 5\text{V}$ ,  $V_{EEA} = V_{EEB} = V_{EEC} = 0\text{V}$ ,  $\text{ENABLE} = 0.8\text{V}$ ,  $+INA$  shorted to  $+INB$  ( $+IN$ ),  $-INA$  shorted to  $-INB$  ( $-IN$ ),  $V_{OCM} = 2.2\text{V}$ , Input common mode voltage =  $2.2\text{V}$ , no  $R_{LOAD}$  unless otherwise noted.

SYMBOL	PARAMETER	CONDITIONS	MIN	TYP	MAX	UNITS
$R_{OUTDIFF}$	Output Resistance			0.3		$\Omega$
$C_{OUTDIFF}$	Output Capacitance			0.8		pF

**Common Mode Voltage Control ( $V_{OCM}$  Pin)**

GCM	Common Mode Gain	Differential (+OUT, -OUT), $V_{OCM} = 1.1\text{V to }3.6\text{V}$ Differential (+OUT, -OUT), $V_{OCM} = 1.3\text{V to }3.4\text{V}$	●	0.9 0.9	1	1.1 1.1	V/V V/V
$V_{OCMMIN}$	Output Common Mode Voltage Adjustment Range, MIN	Measured Single-Ended at +OUT and -OUT	●			1.1 1.3	V V
$V_{OCMMAX}$	Output Common Mode Voltage Adjustment Range, MAX	Measured Single-Ended at +OUT and -OUT	●	3.6 3.4			V V
$V_{OSCM}$	Output Common Mode Offset Voltage	Measured from $V_{OCM}$ to Average of +OUT and -OUT	●	-30	4	30	mV
$I_{BIASCM}$	$V_{OCM}$ Input Bias Current		●		5	15	$\mu\text{A}$
$R_{INCM}$	$V_{OCM}$ Input Resistance		●	0.8	3		M $\Omega$
$C_{INCM}$	$V_{OCM}$ Input Capacitance				1		pF

**ENABLE Pin**

$V_{IL}$	$\overline{\text{ENABLE}}$ Input Low Voltage		●			0.8	V
$V_{IH}$	$\overline{\text{ENABLE}}$ Input High Voltage		●	2			V
$I_{IL}$	$\overline{\text{ENABLE}}$ Input Low Current	$\overline{\text{ENABLE}} = 0.8\text{V}$	●			0.5	$\mu\text{A}$
$I_{IH}$	$\overline{\text{ENABLE}}$ Input High Current	$\overline{\text{ENABLE}} = 2\text{V}$	●		1	3	$\mu\text{A}$

**Power Supply**

$V_S$	Operating Range		●	4	5	5.5	V
$I_S$	Supply Current	$\overline{\text{ENABLE}} = 0.8\text{V}$	●	88	100	112	mA
$I_{SDISABLED}$	Supply Current (Disabled)	$\overline{\text{ENABLE}} = 2\text{V}$	●		250	500	$\mu\text{A}$
PSRR	Power Supply Rejection Ratio	4V to 5.5V	●	55	90		dB

**AC ELECTRICAL CHARACTERISTICS**  $T_A = 25^\circ\text{C}$ ,  $V_{CCA} = V_{CCB} = V_{CCC} = 5\text{V}$ ,  $V_{EEA} = V_{EEB} = V_{EEC} = 0\text{V}$ ,  $\text{ENABLE} = 0.8\text{V}$ ,  $+INA$  shorted to  $+INB$  ( $+IN$ ),  $-INA$  shorted to  $-INB$  ( $-IN$ ),  $V_{OCM} = 2.2\text{V}$ , Input common mode voltage =  $2.2\text{V}$ , no  $R_{LOAD}$  unless otherwise noted.

SYMBOL	PARAMETER	CONDITIONS	MIN	TYP	MAX	UNITS
--------	-----------	------------	-----	-----	-----	-------

**Input/Output Characteristics**

-3dB BW	-3dB Bandwidth	200mV <sub>p-p</sub> Differential (+OUT, -OUT)		500	800		MHz
0.1dB BW	Bandwidth for 0.1dB Flatness	200mV <sub>p-p</sub> Differential (+OUT, -OUT)			50		MHz
0.5dB BW	Bandwidth for 0.5dB Flatness	200mV <sub>p-p</sub> Differential (+OUT, -OUT)			100		MHz
SR	Slew Rate	3.2V <sub>p-p</sub> Differential (+OUT, -OUT)			1100		V/ $\mu\text{s}$
$t_{s1\%}$	1% Settling Time	1% Settling for a 1V <sub>p-p</sub> Differential Step (+OUT, -OUT)			4		ns
$t_{ON}$	Turn-On Time				40		ns
$t_{OFF}$	Turn-Off Time				250		ns

**Common Mode Voltage Control ( $V_{OCM}$  Pin)**

-3dB BW <sub>CM</sub>	Common Mode Small-Signal -3dB Bandwidth	0.1V <sub>p-p</sub> at $V_{OCM}$ , Measured Single-Ended at +OUT and -OUT			300		MHz
SR <sub>CM</sub>	Common Mode Slew Rate	1.3V to 3.4V Step at $V_{OCM}$			500		V/ $\mu\text{s}$

**AC ELECTRICAL CHARACTERISTICS**  $T_A = 25^\circ\text{C}$ ,  $V_{CCA} = V_{CCB} = V_{CCC} = 5\text{V}$ ,  $V_{EEA} = V_{EEB} = V_{EEC} = 0\text{V}$ ,  $\text{ENABLE} = 0.8\text{V}$ , +INA shorted to +INB (+IN), -INA shorted to -INB (-IN),  $V_{OCM} = 2.2\text{V}$ , Input common mode voltage = 2.2V, no  $R_{LOAD}$  unless otherwise noted.

SYMBOL	PARAMETER	CONDITIONS	MIN	TYP	MAX	UNITS
<b>Noise/Harmonic Performance Input/output Characteristics</b>						
<b>1kHz Signal</b>						
	Second/Third Harmonic Distortion	2V <sub>p-p</sub> Differential (+OUTFILTERED, -OUTFILTERED)		-100		dBc
		2V <sub>p-p</sub> Differential (+OUT, -OUT)		-100		dBc
		2V <sub>p-p</sub> Differential (+OUT, -OUT), $R_L = 100\Omega$		-100		dBc
		3.2V <sub>p-p</sub> Differential (+OUTFILTERED, -OUTFILTERED)		-91		dBc
		3.2V <sub>p-p</sub> Differential (+OUT, -OUT)		-91		dBc
		3.2V <sub>p-p</sub> Differential (+OUT, -OUT), $R_L = 100\Omega$		-91		dBc
	Third-Order IMD	2V <sub>p-p</sub> Differential Composite (+OUTFILTERED, -OUTFILTERED), $f_1 = 0.95\text{kHz}$ , $f_2 = 1.05\text{kHz}$		-102		dBc
		2V <sub>p-p</sub> Differential Composite (+OUT, -OUT), $R_L = 100\Omega$ , $f_1 = 0.95\text{kHz}$ , $f_2 = 1.05\text{kHz}$		-102		dBc
		3.2V <sub>p-p</sub> Differential Composite (+OUTFILTERED, -OUTFILTERED), $f_1 = 0.95\text{kHz}$ , $f_2 = 1.05\text{kHz}$		-93		dBc
OIP3 <sub>1k</sub>	Output Third-Order Intercept	Differential (+OUTFILTERED, -OUTFILTERED), $f_1 = 0.95\text{kHz}$ , $f_2 = 1.05\text{kHz}$		54		dBm
e <sub>n1k</sub>	Input Referred Noise Voltage Density			3.5		nV/ $\sqrt{\text{Hz}}$
	1dB Compression Point	$R_L = 100\Omega$		22.7		dBm
<b>10MHz Signal</b>						
	Second/Third Harmonic Distortion	2V <sub>p-p</sub> Differential (+OUTFILTERED, -OUTFILTERED)		-94		dBc
		2V <sub>p-p</sub> Differential (+OUT, -OUT)		-94		dBc
		2V <sub>p-p</sub> Differential (+OUT, -OUT), $R_L = 100\Omega$		-86		dBc
		3.2V <sub>p-p</sub> Differential (+OUTFILTERED, -OUTFILTERED)		-85		dBc
		3.2V <sub>p-p</sub> Differential (+OUT, -OUT)		-85		dBc
		3.2V <sub>p-p</sub> Differential (+OUT, -OUT), $R_L = 100\Omega$		-77		dBc
	Third-Order IMD	2V <sub>p-p</sub> Differential Composite (+OUTFILTERED, -OUTFILTERED), $f_1 = 9.5\text{MHz}$ , $f_2 = 10.5\text{MHz}$		-96		dBc
		2V <sub>p-p</sub> Differential Composite (+OUT, -OUT), $R_L = 100\Omega$ , $f_1 = 9.5\text{MHz}$ , $f_2 = 10.5\text{MHz}$		-96		dBc
		3.2V <sub>p-p</sub> Differential Composite (+OUTFILTERED, -OUTFILTERED), $f_1 = 9.5\text{MHz}$ , $f_2 = 10.5\text{MHz}$		-87		dBc
OIP3 <sub>10M</sub>	Output Third-Order Intercept	Differential (+OUTFILTERED, -OUTFILTERED), $f_1 = 9.5\text{MHz}$ , $f_2 = 10.5\text{MHz}$		51		dBm
NF	Noise Figure	Measured Using DC800A Demo Board		11.3		dB
e <sub>n10M</sub>	Input Referred Noise Voltage Density			3.5		nV/ $\sqrt{\text{Hz}}$
	1dB Compression Point	$R_L = 100\Omega$		22.6		dBm
<b>50MHz Signal</b>						
	Second/Third Harmonic Distortion	2V <sub>p-p</sub> Differential (+OUTFILTERED, -OUTFILTERED)		-77		dBc
		2V <sub>p-p</sub> Differential (+OUT, -OUT)		-77		dBc
		2V <sub>p-p</sub> Differential (+OUT, -OUT), $R_L = 100\Omega$		-74		dBc
		3.2V <sub>p-p</sub> Differential (+OUTFILTERED, -OUTFILTERED)		-68		dBc
		3.2V <sub>p-p</sub> Differential (+OUT, -OUT)		-65		dBc

**AC ELECTRICAL CHARACTERISTICS**  $T_A = 25^\circ\text{C}$ ,  $V_{CCA} = V_{CCB} = V_{CCC} = 5\text{V}$ ,  $V_{EEA} = V_{EEB} = V_{EEC} = 0\text{V}$ ,  $\text{ENABLE} = 0.8\text{V}$ , +INA shorted to +INB (+IN), -INA shorted to -INB (-IN),  $V_{OCM} = 2.2\text{V}$ , Input common mode voltage = 2.2V, no  $R_{LOAD}$  unless otherwise noted.

SYMBOL	PARAMETER	CONDITIONS	MIN	TYP	MAX	UNITS
		3.2V <sub>p-p</sub> Differential (+OUT, -OUT), $R_L = 100\Omega$		-65		dBc
	Third-Order IMD	2V <sub>p-p</sub> Differential Composite (+OUTFILTERED, -OUTFILTERED), $f_1 = 49.5\text{MHz}$ , $f_2 = 50.5\text{MHz}$		-84		dBc
		2V <sub>p-p</sub> Differential Composite (+OUT, -OUT), $R_L = 100\Omega$ , $f_1 = 49.5\text{MHz}$ , $f_2 = 50.5\text{MHz}$		-88		dBc
		3.2V <sub>p-p</sub> Differential Composite (+OUTFILTERED, -OUTFILTERED), $f_1 = 49.5\text{MHz}$ , $f_2 = 50.5\text{MHz}$		-75		dBc
OIP3 <sub>50M</sub>	Output Third-Order Intercept	Differential (+OUTFILTERED, -OUTFILTERED), $f_1 = 49.5\text{MHz}$ , $f_2 = 50.5\text{MHz}$		45		dBm
NF	Noise Figure	Measured Using DC800A Demo Board		11.8		dB
e <sub>n50M</sub>	Input Referred Noise Voltage Density			3.65		nV/ $\sqrt{\text{Hz}}$
	1dB Compression Point	$R_L = 100\Omega$		19.7		dBm

**70MHz Signal**

	Second/Third Harmonic Distortion	2V <sub>p-p</sub> Differential (+OUTFILTERED, -OUTFILTERED)		-70		dBc
		2V <sub>p-p</sub> Differential (+OUT, -OUT)		-61		dBc
		2V <sub>p-p</sub> Differential (+OUT, -OUT), $R_L = 100\Omega$		-61		dBc
	Third-Order IMD	2V <sub>p-p</sub> Differential Composite (+OUTFILTERED, -OUTFILTERED), $f_1 = 69.5\text{MHz}$ , $f_2 = 70.5\text{MHz}$		-70		dBc
		2V <sub>p-p</sub> Differential Composite (+OUT, -OUT), $R_L = 100\Omega$ , $f_1 = 69.5\text{MHz}$ , $f_2 = 70.5\text{MHz}$		-72		dBc
OIP3 <sub>70M</sub>	Output Third-Order Intercept	Differential (+OUTFILTERED, -OUTFILTERED), $f_1 = 69.5\text{MHz}$ , $f_2 = 70.5\text{MHz}$		38		dBm
NF	Noise Figure	Measured Using DC800A Demo Board		12.3		dB
e <sub>n70M</sub>	Input Referred Noise Voltage Density			3.8		nV/ $\sqrt{\text{Hz}}$
	1dB Compression Point	$R_L = 100\Omega$		18.5		dBm

**100MHz Signal**

	Second/Third Harmonic Distortion	2V <sub>p-p</sub> Differential (+OUTFILTERED, -OUTFILTERED)		-56		dBc
		2V <sub>p-p</sub> Differential (+OUT, -OUT)		-54		dBc
		2V <sub>p-p</sub> Differential (+OUT, -OUT), $R_L = 100\Omega$		-51		dBc
	Third-Order IMD	2V <sub>p-p</sub> Differential Composite (+OUTFILTERED, -OUTFILTERED), $f_1 = 99.5\text{MHz}$ , $f_2 = 100.5\text{MHz}$		-58		dBc
		2V <sub>p-p</sub> Differential Composite (+OUT, -OUT), $R_L = 100\Omega$ , $f_1 = 99.5\text{MHz}$ , $f_2 = 100.5\text{MHz}$		-59		dBc
OIP3 <sub>100M</sub>	Output Third-Order Intercept	Differential (+OUTFILTERED, -OUTFILTERED), $f_1 = 99.5\text{MHz}$ , $f_2 = 100.5\text{MHz}$		32		dBm
NF	Noise Figure	Measured Using DC800A Demo Board		12.8		dB
e <sub>n100M</sub>	Input Referred Noise Voltage Density			4.1		nV/ $\sqrt{\text{Hz}}$
	1dB Compression Point	$R_L = 100\Omega$		17.8		dBm

**Note 1:** Absolute Maximum Ratings are those values beyond which the life of a device may be impaired.

**Note 2:** As long as output current and junction temperature are kept below the Absolute Maximum Ratings, no damage to the part will occur.

**Note 3:** The LT1993C-2 is guaranteed functional over the operating temperature range of -40°C to 85°C.

**Note 4:** The LT1993C-2 is guaranteed to meet specified performance from

0°C to 70°C. It is designed, characterized and expected to meet specified performance from -40°C and 85°C but is not tested or QA sampled at these temperatures. The LT1993I-2 is guaranteed to meet specified performance from -40°C to 85°C.

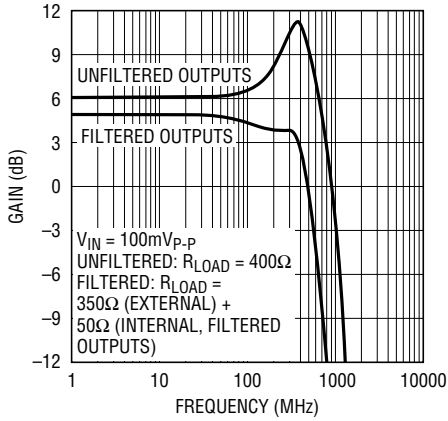
**Note 5:** This parameter is pulse tested.

**Note 6:** This parameter is guaranteed to meet specified performance through design and characterization. It has not been tested.

19932fa

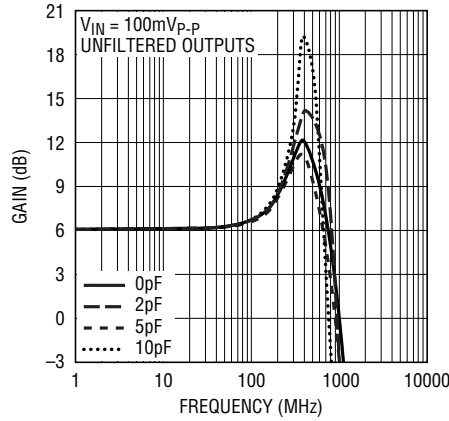
# TYPICAL PERFORMANCE CHARACTERISTICS

**Frequency Response**  
 $R_{LOAD} = 400\Omega$



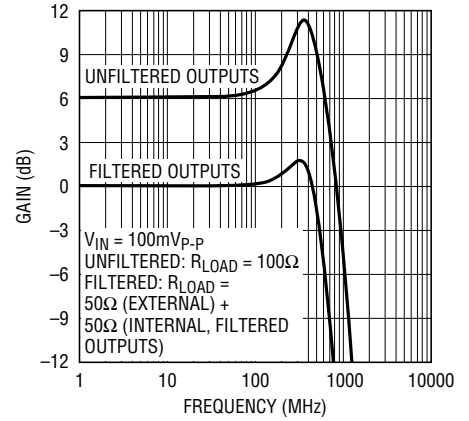
19932 G01

**Frequency Response vs  $C_{LOAD}$ ,  
 $R_{LOAD} = 400\Omega$**



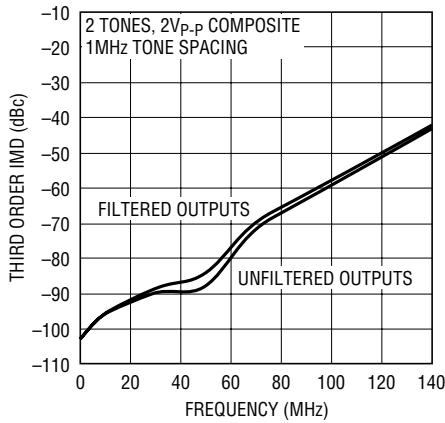
19932 G03

**Frequency Response**  
 $R_{LOAD} = 100\Omega$



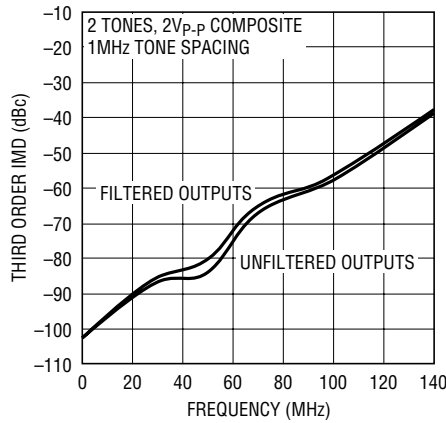
19932 G02

**Third Order Intermodulation Distortion vs Frequency**  
Differential Input, No  $R_{LOAD}$



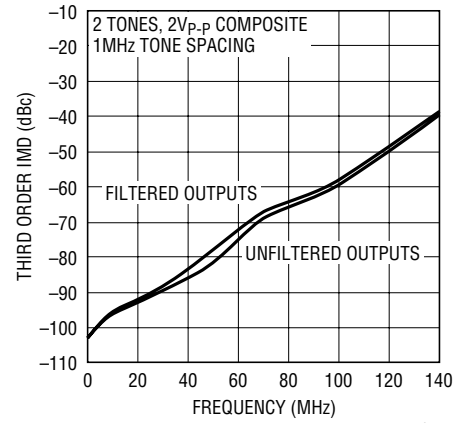
19932 G04

**Third Order Intermodulation Distortion vs Frequency**  
Differential Input,  $R_{LOAD} = 400\Omega$



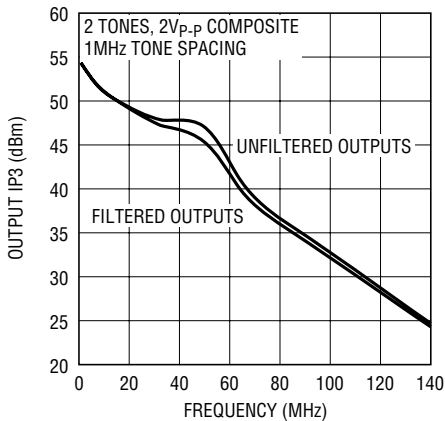
19932 G05

**Third Order Intermodulation Distortion vs Frequency**  
Differential Input,  $R_{LOAD} = 100\Omega$



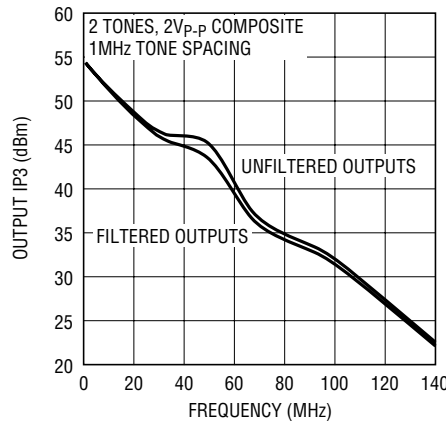
19932 G06

**Output Third Order Intercept vs Frequency, Differential Input, No  $R_{LOAD}$**



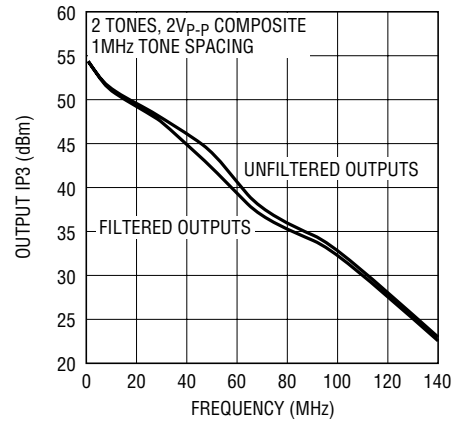
19932 G07

**Output Third Order Intercept vs Frequency, Differential Input,  $R_{LOAD} = 400\Omega$**



19932 G08

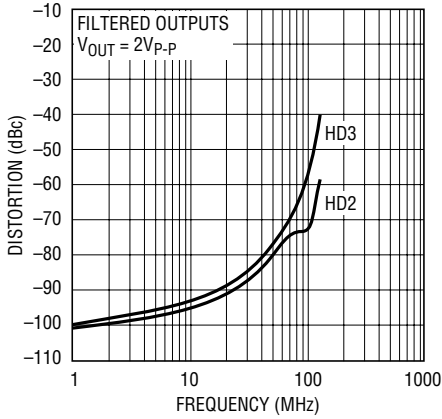
**Output Third Order Intercept vs Frequency, Differential Input,  $R_{LOAD} = 100\Omega$**



19932 G09

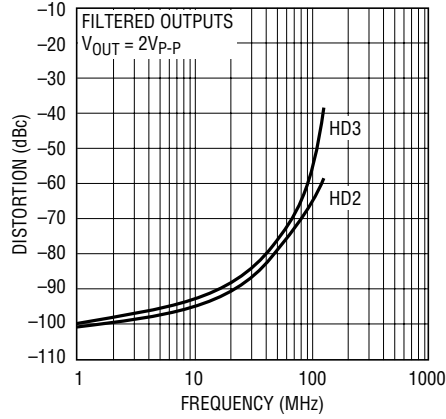
# TYPICAL PERFORMANCE CHARACTERISTICS

**Distortion (Filtered) vs Frequency  
Differential Input, No  $R_{LOAD}$**



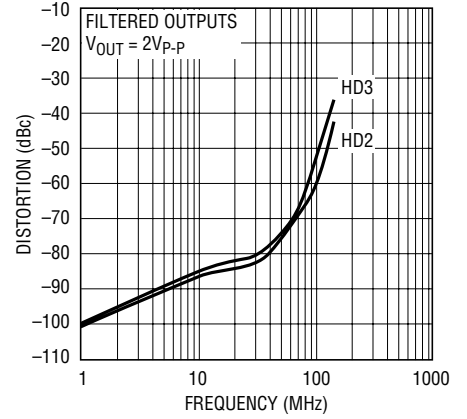
19932 G10

**Distortion (Filtered) vs Frequency  
Differential Input,  $R_{LOAD} = 400\Omega$**



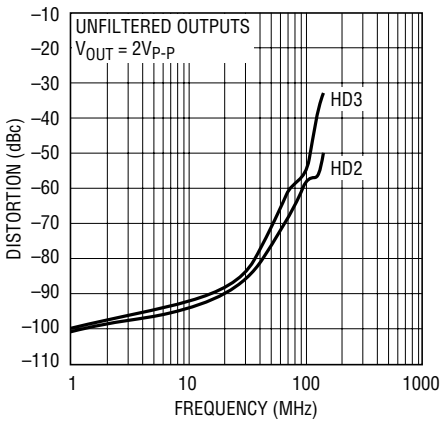
19932 G11

**Distortion (Filtered) vs Frequency  
Differential Input,  $R_{LOAD} = 100\Omega$**



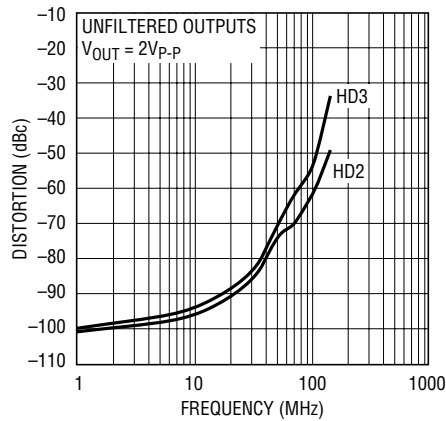
19932 G12

**Distortion (Unfiltered) vs  
Frequency, Differential Input,  
No  $R_{LOAD}$**



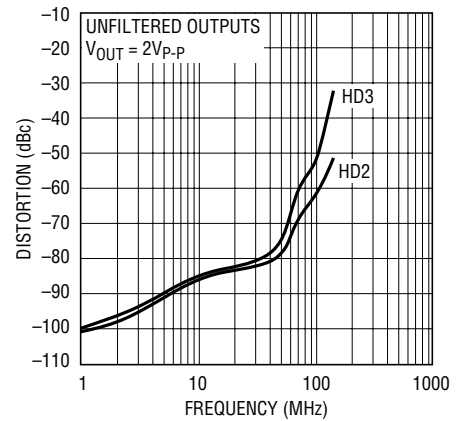
19932 G13

**Distortion (Unfiltered) vs  
Frequency, Differential Input,  
 $R_{LOAD} = 400\Omega$**



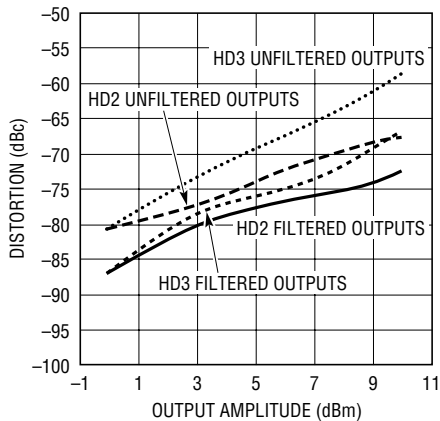
19932 G14

**Distortion (Unfiltered) vs  
Frequency, Differential Input,  
 $R_{LOAD} = 100\Omega$**



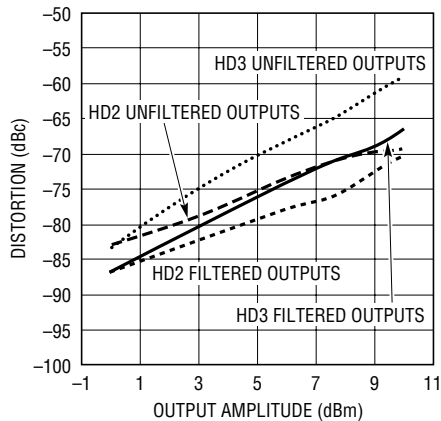
19932 G15

**Distortion vs Output Amplitude  
70MHz Differential Input,  
No  $R_{LOAD}$**



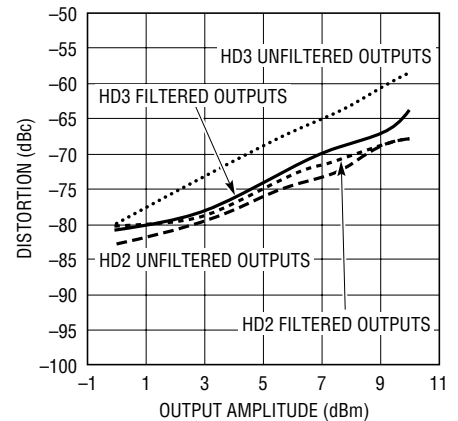
19932 G16

**Distortion vs Output Amplitude  
70MHz Differential Input,  
 $R_{LOAD} = 400\Omega$**



19932 G17

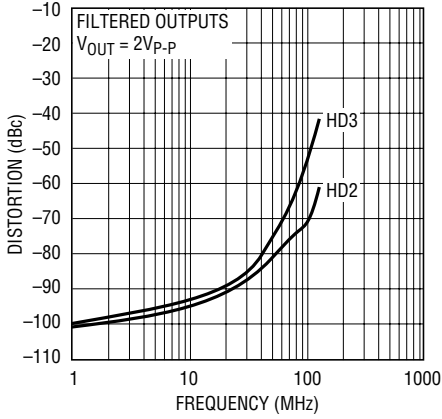
**Distortion vs Output Amplitude  
70MHz Differential Input,  
 $R_{LOAD} = 100\Omega$**



19932 G18

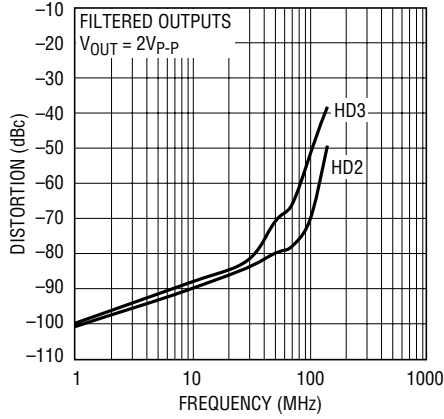
# TYPICAL PERFORMANCE CHARACTERISTICS

**Distortion (Filtered) vs Frequency  
Single-Ended Input, No  $R_{LOAD}$**



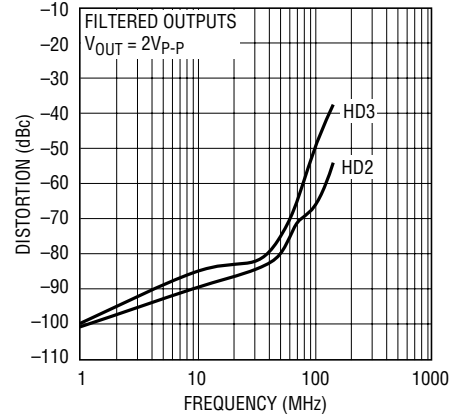
19932 G19

**Distortion (Filtered) vs Frequency  
Single-Ended Input,  $R_{LOAD} = 400\Omega$**



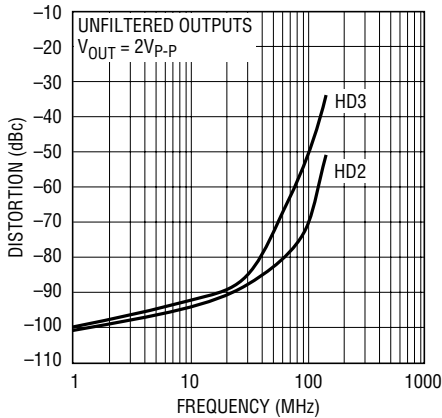
19932 G20

**Distortion (Filtered) vs Frequency  
Single-Ended Input,  $R_{LOAD} = 100\Omega$**



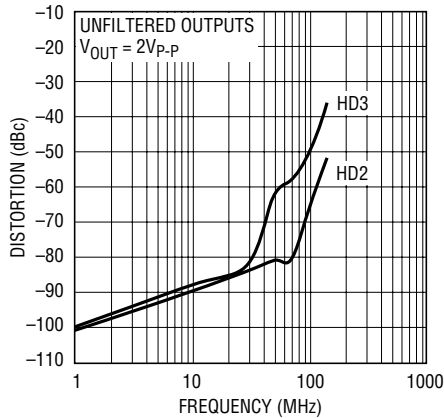
19932 G21

**Distortion (Unfiltered) vs  
Frequency, Single-Ended Input,  
No  $R_{LOAD}$**



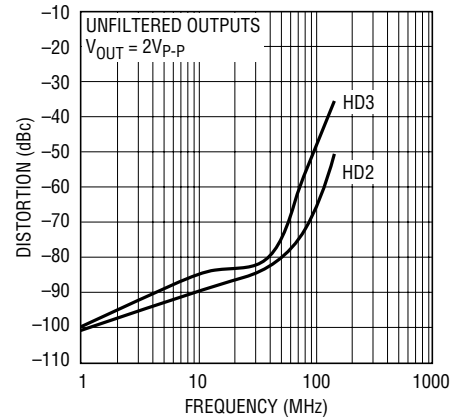
19932 G22

**Distortion (Unfiltered) vs  
Frequency, Single-Ended Input,  
 $R_{LOAD} = 400\Omega$**



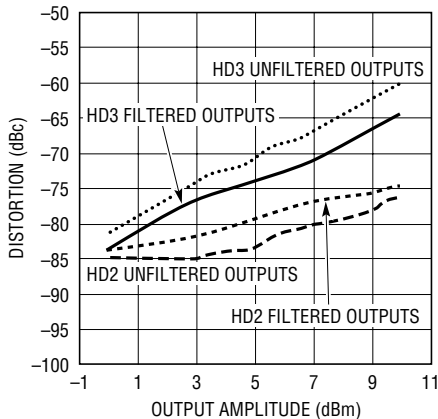
19932 G23

**Distortion (Unfiltered) vs  
Frequency, Single-Ended Input,  
 $R_{LOAD} = 100\Omega$**



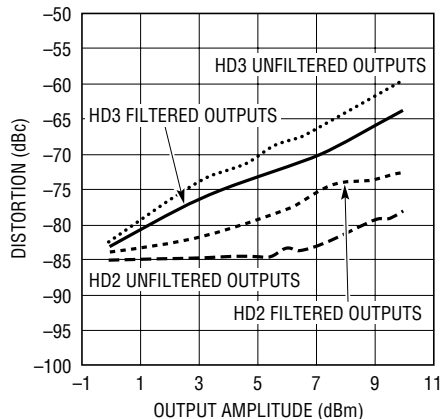
19932 G24

**Distortion vs Output Amplitude  
70MHz Single-Ended Input,  
No  $R_{LOAD}$**



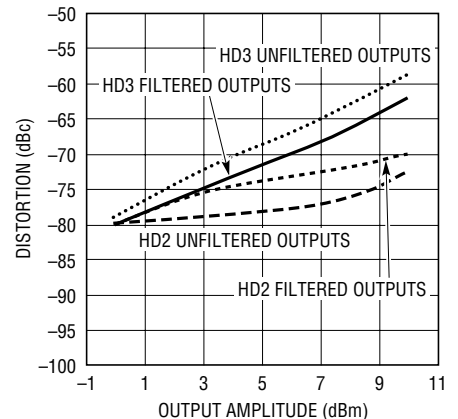
19932 G25

**Distortion vs Output Amplitude  
70MHz Single-Ended Input,  
 $R_{LOAD} = 400\Omega$**



19932 G26

**Distortion vs Output Amplitude  
70MHz Single-Ended Input,  
 $R_{LOAD} = 100\Omega$**

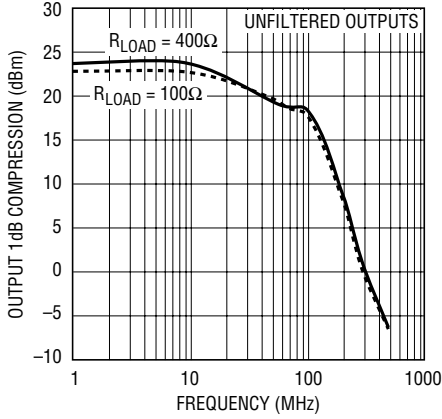


19932 G27



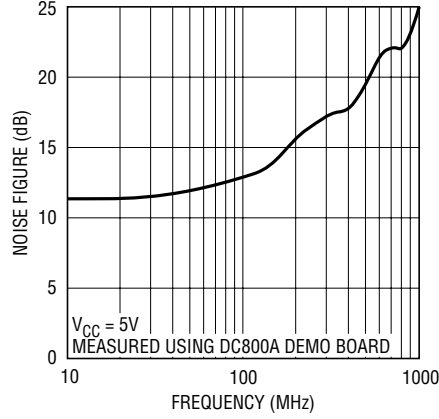
# TYPICAL PERFORMANCE CHARACTERISTICS

**Output 1dB Compression vs Frequency**



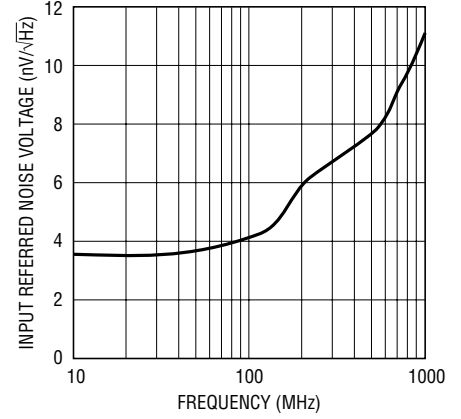
19932 G28

**Noise Figure vs Frequency**



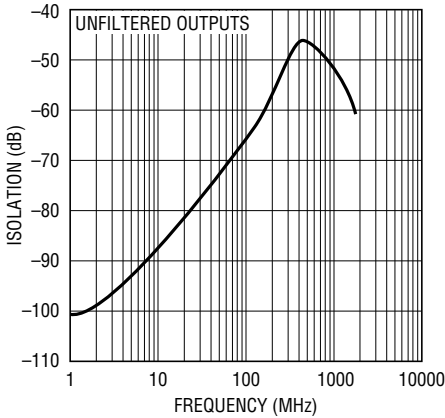
19932 G29

**Input Referred Noise Voltage vs Frequency**



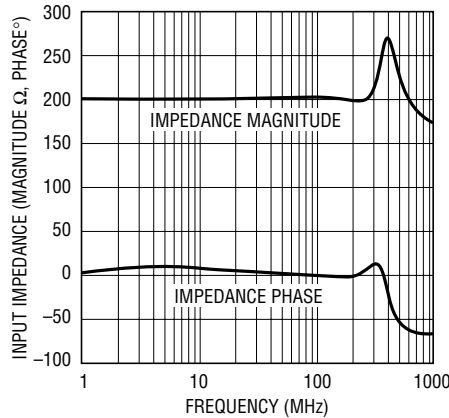
19932 G30

**Isolation vs Frequency**



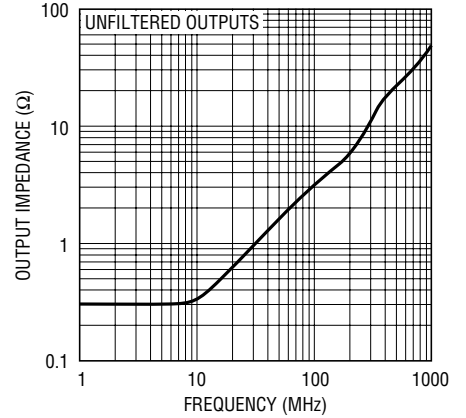
19932 G31

**Differential Input Impedance vs Frequency**



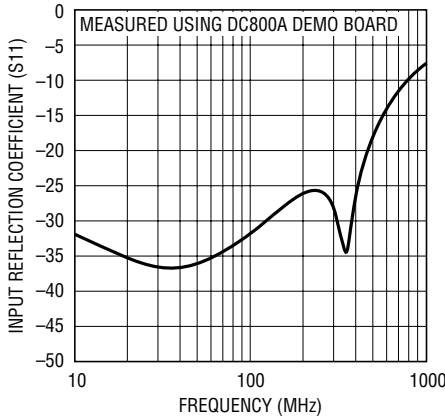
19932 G32

**Differential Output Impedance vs Frequency**



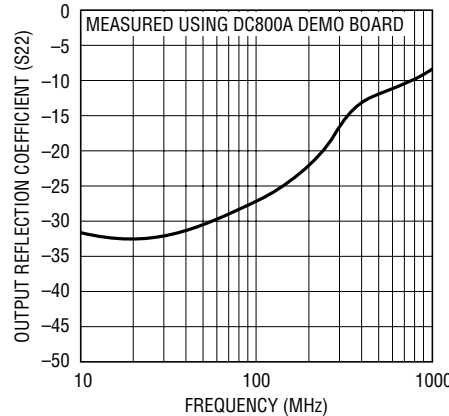
19932 G33

**Input Reflection Coefficient vs Frequency**



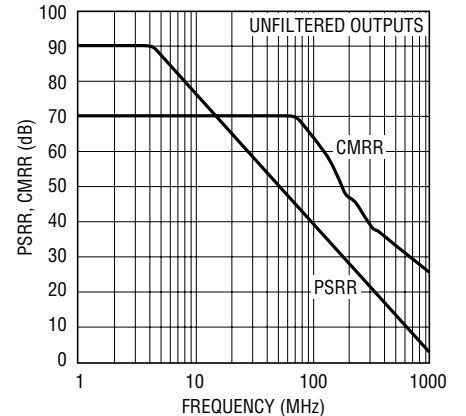
19932 G34

**Output Reflection Coefficient vs Frequency**



19932 G35

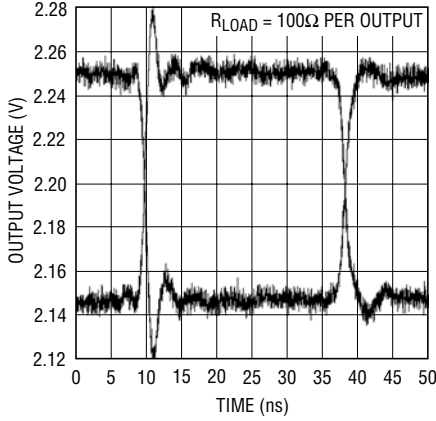
**PSRR, CMRR vs Frequency**



19932 G36

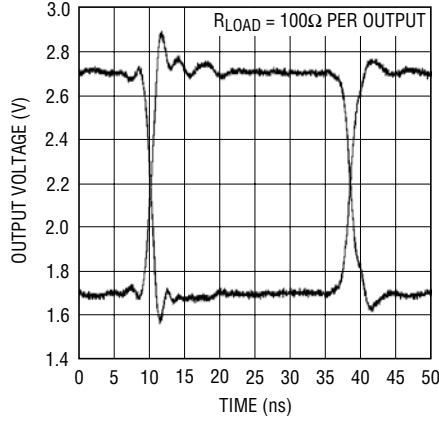
# TYPICAL PERFORMANCE CHARACTERISTICS

**Small-Signal Transient Response**



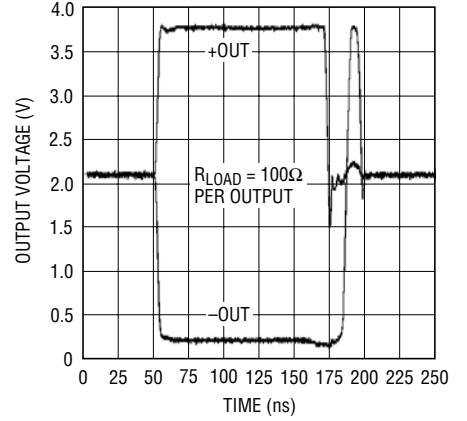
19932 G37

**Large-Signal Transient Response**



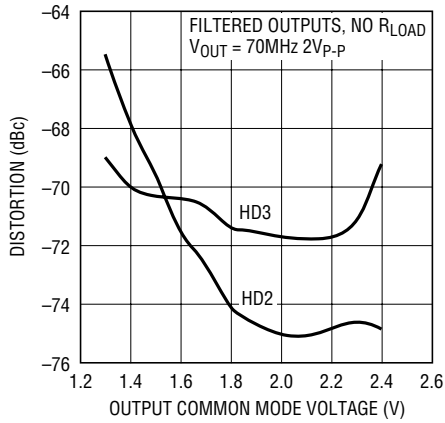
19932 G38

**Overdrive Recovery Time**



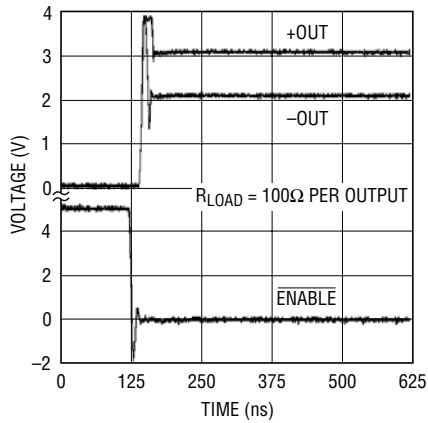
19932 G39

**Distortion vs Output Common Mode Voltage LT1993-2 Driving LTC2249 14-Bit ADC**



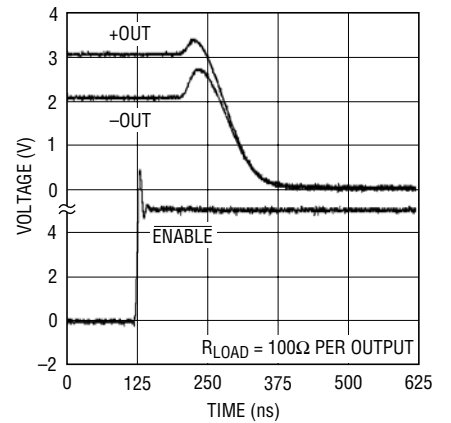
19932 G40

**Turn-On Time**



19932 G41

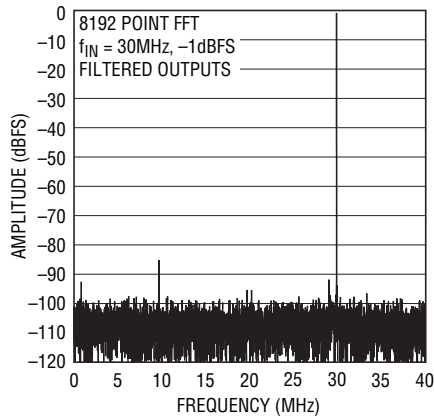
**Turn-Off Time**



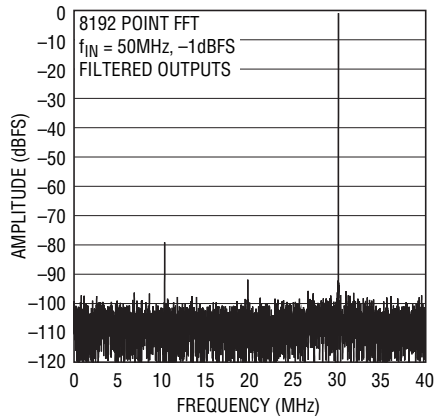
19932 G42

# TYPICAL PERFORMANCE CHARACTERISTICS

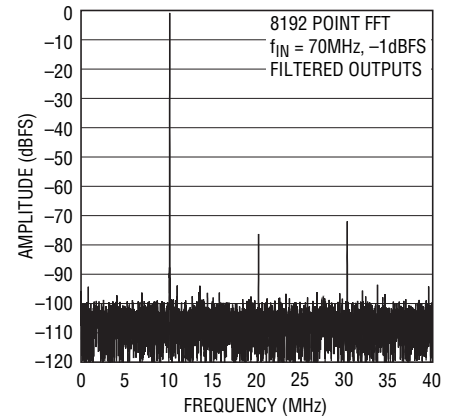
**30MHz 8192 Point FFT, LT1993-2 Driving LTC2249 14-Bit ADC**



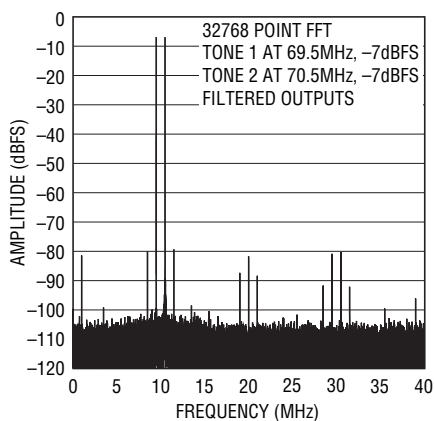
**50MHz 8192 Point FFT, LT1993-2 Driving LTC2249 14-Bit ADC**



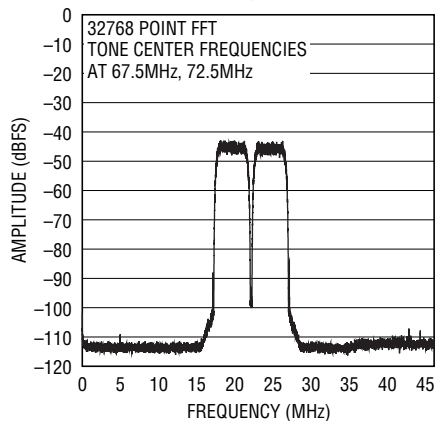
**70MHz 8192 Point FFT, LT1993-2 Driving LTC2249 14-Bit ADC**



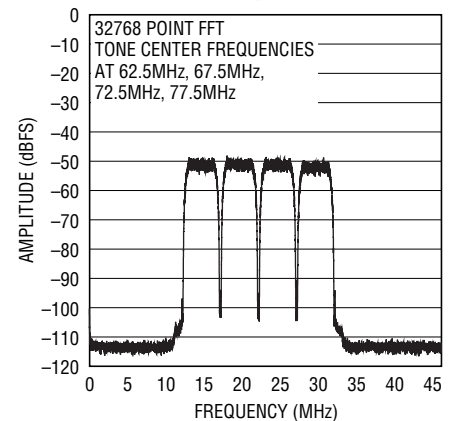
**70MHz 2-Tone 32768 Point FFT, LT1993-2 Driving LTC2249 14-Bit ADC**



**2-Tone WCDMA Waveform, LT1993-2 Driving LTC2255 14-Bit ADC at 92.16Msps**



**4-Tone WCDMA Waveform, LT1993-2 Driving LTC2255 14-Bit ADC at 92.16Msps**



## PIN FUNCTIONS

**$V_{OCM}$  (Pin 2):** This pin sets the output common mode voltage. Without additional biasing, both inputs bias to this voltage as well. This input is high impedance.

**$V_{CCA}$ ,  $V_{CCB}$ ,  $V_{CCC}$  (Pins 3, 10, 1):** Positive Power Supply (Normally Tied to 5V). All three pins must be tied to the same voltage. Bypass each pin with 1000pF and 0.1 $\mu$ F capacitors as close to the package as possible. Split supplies are possible as long as the voltage between  $V_{CC}$  and  $V_{EE}$  is 5V.

**$V_{EEA}$ ,  $V_{EEB}$ ,  $V_{EEC}$  (Pins 4, 9, 12):** Negative Power Supply (Normally Tied to Ground). All three pins must be tied to the same voltage. Split supplies are possible as long as the voltage between  $V_{CC}$  and  $V_{EE}$  is 5V. If these pins are not tied to ground, bypass each pin with 1000pF and 0.1 $\mu$ F capacitors as close to the package as possible.

**+OUT, -OUT (Pins 5, 8):** Outputs (Unfiltered). These pins are high bandwidth, low-impedance outputs. The DC output voltage at these pins is set to the voltage applied at  $V_{OCM}$ .

**+OUTFILTERED, -OUTFILTERED (Pins 6, 7):** Filtered Outputs. These pins add a series 25 $\Omega$  resistor from the unfiltered outputs and three 12pF capacitors. Each output has 12pF to  $V_{EE}$ , plus an additional 12pF between each pin (See the Block Diagram). This filter has a -3dB bandwidth of 175MHz.

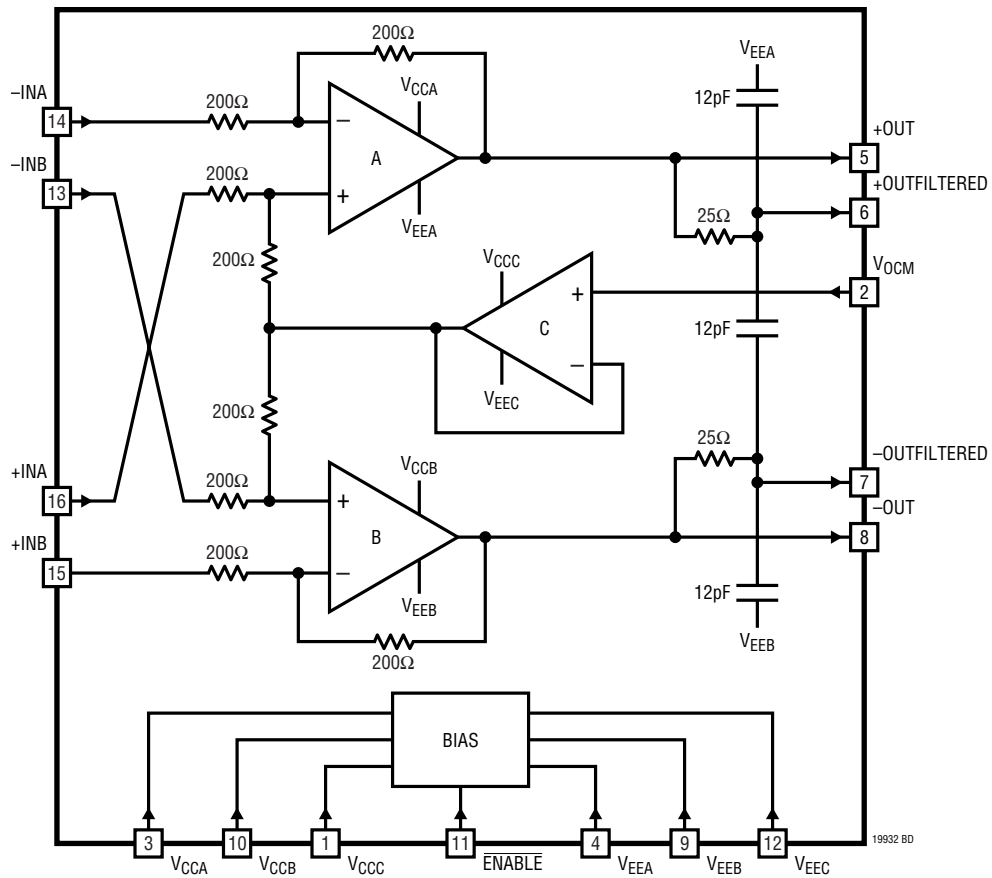
**ENABLE (Pin 11):** This pin is a TTL logic input referenced to the  $V_{EEC}$  pin. If low, the LT1993-2 is enabled and draws typically 100mA of supply current. If high, the LT1993-2 is disabled and draws typically 250 $\mu$ A.

**+INA, +INB (Pins 15, 16):** Positive Inputs. These pins are normally tied together. These inputs may be DC- or AC-coupled. If the inputs are AC-coupled, they will self-bias to the voltage applied to the  $V_{OCM}$  pin.

**-INA, -INB (Pins 14, 13):** Negative Inputs. These pins are normally tied together. These inputs may be DC- or AC-coupled. If the inputs are AC-coupled, they will self-bias to the voltage applied to the  $V_{OCM}$  pin.

**Exposed Pad (Pin 17):** Tie the pad to  $V_{EEC}$  (Pin 12). If split supplies are used, DO NOT tie the pad to ground.

**BLOCK DIAGRAM**



19932 BD

## APPLICATIONS INFORMATION

### Circuit Description

The LT1993-2 is a low-noise, low-distortion differential amplifier/ADC driver with:

- DC to 800MHz  $-3\text{dB}$  bandwidth
- Fixed gain of  $2\text{V/V}$  ( $6\text{dB}$ ) independent of  $R_{\text{LOAD}}$
- $200\Omega$  differential input impedance
- Low output impedance
- Built-in, user adjustable output filtering
- Requires minimal support circuitry

Referring to the block diagram, the LT1993-2 uses a closed-loop topology which incorporates 3 internal amplifiers. Two of the amplifiers (A and B) are identical and drive the differential outputs. The third amplifier (C) is used to set the output common mode voltage. Gain and input impedance are set by the  $200\Omega$  resistors in the internal feedback network. Output impedance is low, determined by the inherent output impedance of amplifiers A and B, and further reduced by internal feedback.

The LT1993-2 also includes built-in single-pole output filtering. The user has the choice of using the unfiltered outputs, the filtered outputs ( $175\text{MHz}$   $-3\text{dB}$  lowpass), or modifying the filtered outputs to alter frequency response by adding additional components. Many lowpass and bandpass filters are easily implemented with just one or two additional components.

The LT1993-2 has been designed to minimize the need for external support components such as transformers or AC-coupling capacitors. As an ADC driver, the LT1993-2 requires no external components except for power-supply bypass capacitors. This allows DC-coupled operation for applications that have frequency ranges including DC. At the outputs, the common mode voltage is set via the  $V_{\text{OCM}}$  pin, allowing the LT1993-2 to drive ADCs directly. No output AC-coupling capacitors or transformers are needed. At the inputs, signals can be differential or single-ended with virtually no difference in performance. Furthermore, DC levels at the inputs can be set independently of the output common mode voltage. These input characteristics often eliminate the need for an input transformer and/or AC-coupling capacitors.

### Input Impedance and Matching Networks

Because of the internal feedback network, calculation of the LT1993-2's input impedance is not straightforward from examination of the block diagram. Furthermore, the input impedance when driven differentially is different than when driven single-ended. When driven differentially, the LT1993-2's input impedance is  $200\Omega$  (differential); when driven single-ended, the input impedance is  $133\Omega$ .

For single-ended  $50\Omega$  applications, an  $80.6\Omega$  shunt matching resistor to ground will result in the proper input termination (Figure 1). For differential inputs there are several termination options. If the input source is  $50\Omega$  differential, then input matching can be accomplished by either a  $67\Omega$  shunt resistor across the inputs (Figure 3), or a  $33\Omega$  shunt resistor on each of the inputs to ground (Figure 2). If additional AC gain is desired, a 1:4 impedance ratio transformer (like the Mini-Circuits TCM4-19) can also be used to better match impedances and to provide an additional  $6\text{dB}$  of gain (Figure 4). With a 1:4 impedance ratio transformer, ideal matching impedance at the transformer output is  $200\Omega$ , so no termination resistors are required to match the LT1993-2's  $200\Omega$  input impedance.

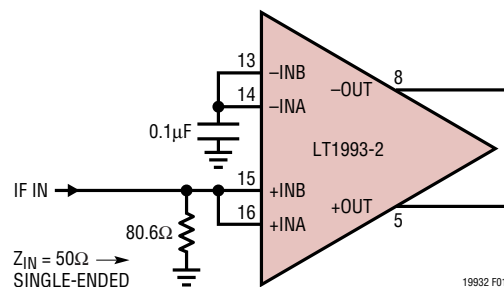


Figure 1. Input Termination for Single-Ended  $50\Omega$  Input Impedance

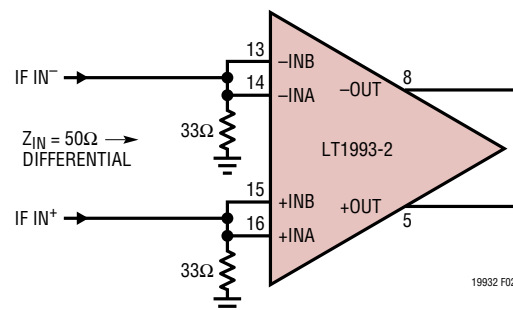
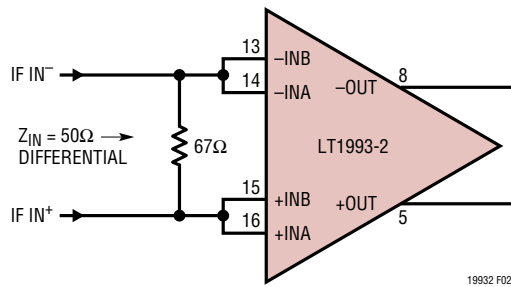
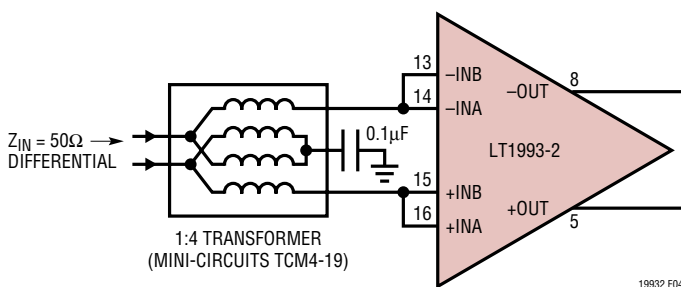


Figure 2. Input Termination for Differential  $50\Omega$  Input Impedance

## APPLICATIONS INFORMATION



**Figure 3. Alternate Input Termination for Differential 50Ω Input Impedance**



**Figure 4. Input Termination for Differential 50Ω Input Impedance with 6dB Additional Gain**

### Single-Ended to Differential Operation

The LT1993-2's performance with single-ended inputs is comparable to its performance with differential inputs. This excellent single-ended performance is largely due to the internal topology of the LT1993-2. Referring to the block diagram, if the +INA and +INB pins are driven with a single-ended signal (while -INA and -INB are tied to AC ground), then the +OUT and -OUT pins are driven differentially without any voltage swing needed from amplifier C. Single-ended to differential conversion using more conventional topologies suffers from performance limitations due to the common mode amplifier.

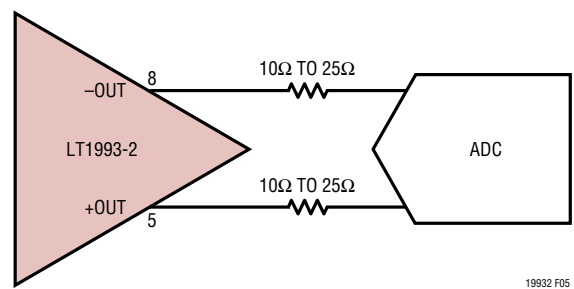
### Driving ADCs

The LT1993-2 has been specifically designed to interface directly with high speed Analog to Digital Converters (ADCs). In general, these ADCs have differential inputs, with an input impedance of 1k or higher. In addition, there is generally some form of lowpass or bandpass filtering just prior to the ADC to limit input noise at the ADC, thereby improving system signal to noise ratio. Both the unfiltered and filtered outputs of the LT1993-2 can easily drive the

high impedance inputs of these differential ADCs. If the filtered outputs are used, then cutoff frequency and the type of filter can be tailored for the specific application if needed.

### Wideband Applications (Using the +OUT and -OUT Pins)

In applications where the full bandwidth of the LT1993-2 is desired, the unfiltered output pins (+OUT and -OUT) should be used. They have a low output impedance; therefore, gain is unaffected by output load. Capacitance in excess of 5pF placed directly on the unfiltered outputs results in additional peaking and reduced performance. When driving an ADC directly, a small series resistance is recommended between the LT1993-2's outputs and the ADC inputs (Figure 5). This resistance helps eliminate any resonances associated with bond wire inductances of either the ADC inputs or the LT1993-2's outputs. A value between 10Ω and 25Ω gives excellent results.



**Figure 5. Adding Small Series R at LT1993-2 Output**

### Filtered Applications (Using the +OUTFILTERED and -OUTFILTERED Pins)

Filtering at the output of the LT1993-2 is often desired to provide either anti-aliasing or improved signal to noise ratio. To simplify this filtering, the LT1993-2 includes an additional pair of differential outputs (+OUTFILTERED and -OUTFILTERED) which incorporate an internal low-pass filter network with a -3dB bandwidth of 175MHz (Figure 6). These pins each have an output impedance of 25Ω. Internal capacitances are 12pF to  $V_{EE}$  on each filtered output, plus an additional 12pF capacitor connected differentially between the two filtered outputs. This resistor/capacitor combination creates filtered outputs

## APPLICATIONS INFORMATION

that look like a series  $25\Omega$  resistor with a  $36\text{pF}$  capacitor shunting each filtered output to AC ground, giving a  $-3\text{dB}$  bandwidth of  $175\text{MHz}$ .

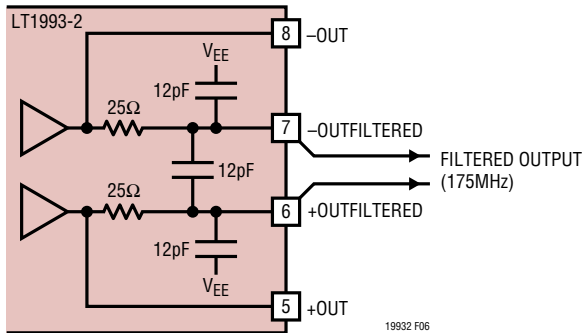


Figure 6. LT1993-2 Internal Filter Topology  $-3\text{dB BW} \approx 175\text{MHz}$

The filter cutoff frequency is easily modified with just a few external components. To increase the cutoff frequency, simply add 2 equal value resistors, one between  $+\text{OUT}$  and  $+\text{OUTFILTERED}$  and the other between  $-\text{OUT}$  and  $-\text{OUTFILTERED}$  (Figure 7). These resistors are in parallel with the internal  $25\Omega$  resistor, lowering the overall resistance and increasing filter bandwidth. To double the filter bandwidth, for example, add two external  $25\Omega$  resistors to lower the series resistance to  $12.5\Omega$ . The  $36\text{pF}$  of capacitance remains unchanged, so filter bandwidth doubles.

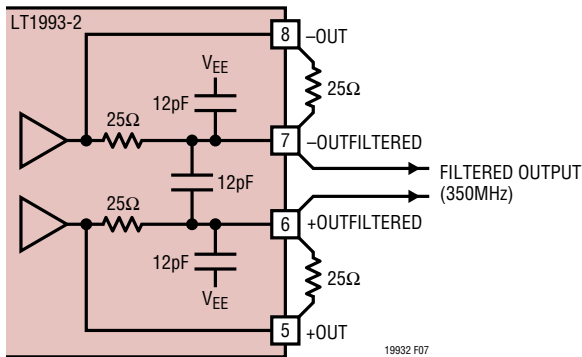


Figure 7. LT1993-2 Internal Filter Topology Modified for  $2\times$  Filter Bandwidth (2 External Resistors)

To decrease filter bandwidth, add two external capacitors, one from  $+\text{OUTFILTERED}$  to ground, and the other from  $-\text{OUTFILTERED}$  to ground. A single differential capacitor connected between  $+\text{OUTFILTERED}$  and  $-\text{OUTFILTERED}$  can also be used, but since it is being driven differentially

it will appear at each filtered output as a single-ended capacitance of twice the value. To halve the filter bandwidth, for example, two  $36\text{pF}$  capacitors could be added (one from each filtered output to ground). Alternatively one  $18\text{pF}$  capacitor could be added between the filtered outputs, again halving the filter bandwidth. Combinations of capacitors could be used as well; a three capacitor solution of  $12\text{pF}$  from each filtered output to ground plus a  $12\text{pF}$  capacitor between the filtered outputs would also halve the filter bandwidth (Figure 8).

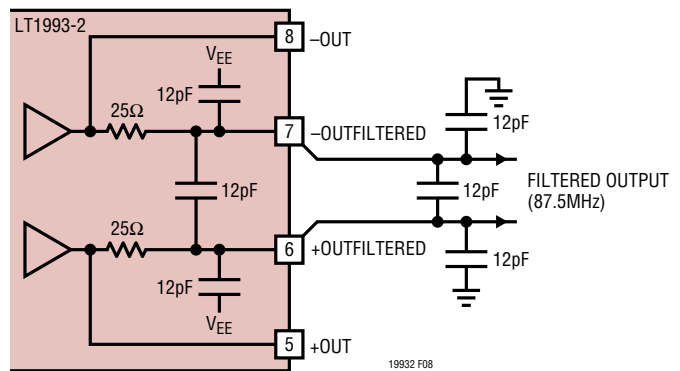


Figure 8. LT1993-2 Internal Filter Topology Modified for  $1/2\times$  Filter Bandwidth (3 External Capacitors)

Bandpass filtering is also easily implemented with just a few external components. An additional  $120\text{pF}$  and  $39\text{nH}$ , each added differentially between  $+\text{OUTFILTERED}$  and  $-\text{OUTFILTERED}$  creates a bandpass filter with a  $71\text{MHz}$  center frequency,  $-3\text{dB}$  points of  $55\text{MHz}$  and  $87\text{MHz}$ , and  $1.6\text{dB}$  of insertion loss (Figure 9).

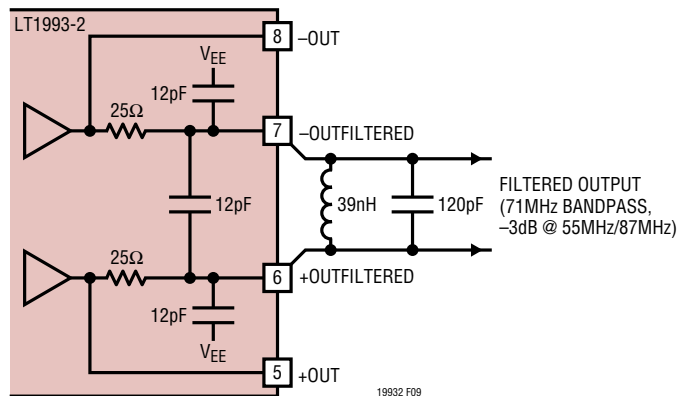


Figure 9. LT1993-2 Output Filter Topology Modified for Bandpass Filtering (1 External Inductor, 1 External Capacitor)



## APPLICATIONS INFORMATION

### Output Common Mode Adjustment

The LT1993-2's output common mode voltage is set by the  $V_{OCM}$  pin. It is a high-impedance input, capable of setting the output common mode voltage anywhere in a range from 1.1V to 3.6V. Bandwidth of the  $V_{OCM}$  pin is typically 300MHz, so for applications where the  $V_{OCM}$  pin is tied to a DC bias voltage, a 0.1 $\mu$ F capacitor at this pin is recommended. For best distortion performance, the voltage at the  $V_{OCM}$  pin should be between 1.8V and 2.6V.

When interfacing with most ADCs, there is generally a  $V_{OCM}$  output pin that is at about half of the supply voltage of the ADC. For 5V ADCs such as the LTC17XX family, this  $V_{OCM}$  output pin should be connected directly (with the addition of a 0.1 $\mu$ F capacitor) to the input  $V_{OCM}$  pin of the LT1993-2. For 3V ADCs such as the LTC22XX families, the LT1993-2 will function properly using the 1.65V from the ADC's  $V_{CM}$  reference pin, but improved Spurious Free Dynamic Range (SFDR) and distortion performance can be achieved by level-shifting the LTC22XX's  $V_{CM}$  reference voltage up to at least 1.8V. This can be accomplished as shown in Figure 10 by using a resistor divider between the LTC22XX's  $V_{CM}$  output pin and  $V_{CC}$  and then bypassing the LT1993-2's  $V_{OCM}$  pin with a 0.1 $\mu$ F capacitor. For a common mode voltage above 1.9V, AC coupling capacitors are recommended between the LT1993-2 and LTC22XX

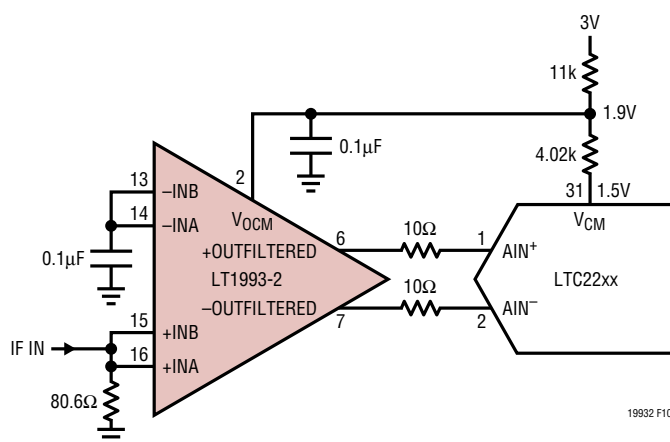


Figure 10. Level Shifting 3V ADC  $V_{CM}$  Voltage for Improved SFDR

ADCs because of the input voltage range constraints of the ADC.

### Large Output Voltage Swings

The LT1993-2 has been designed to provide the 3.2V<sub>P-P</sub> output swing needed by the LTC1748 family of 14-bit low-noise ADCs. This additional output swing improves system SNR by up to 4dB. Typical performance curves and AC specifications have been included for these applications.

### Input Bias Voltage and Bias Current

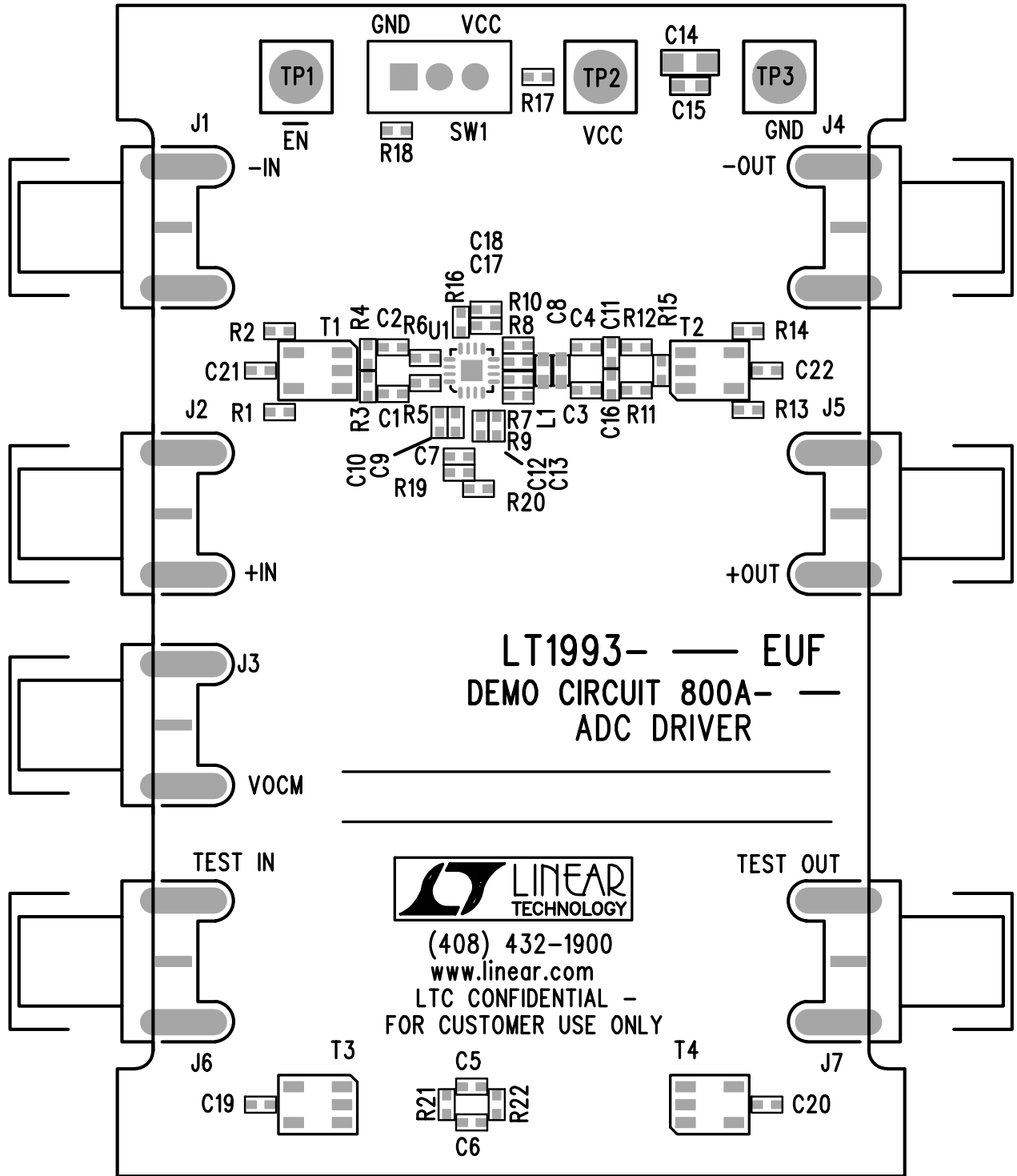
The input pins of the LT1993-2 are internally biased to the voltage applied to the  $V_{OCM}$  pin. No external biasing resistors are needed, even for AC-coupled operation. The input bias current is determined by the voltage difference between the input common mode voltage and the  $V_{OCM}$  pin (which sets the output common mode voltage). At both the positive and negative inputs, any voltage difference is imposed across 200 $\Omega$ , generating an input bias current. For example, if the inputs are tied to 2.5V with the  $V_{OCM}$  pin at 2.2V, then a total input bias current of 1.5mA will flow into the LT1993-2's +INA and +INB pins. Furthermore, an additional input bias current totaling 1.5mA will flow into the -INA and -INB inputs.

### Application (Demo) Boards

The DC800A Demo Board has been created for stand-alone evaluation of the LT1993-2 with either single-ended or differential input and output signals. As shown, it accepts a single-ended input and produces a single-ended output so that the LT1993-2 can be evaluated using standard laboratory test equipment. For more information on this Demo Board, please refer to the Demo Board section of this data sheet.

There are also additional demo boards available that combine the LT1993-2 with a variety of different Linear Technology ADCs. Please contact the factory for more information on these demo boards.

**TYPICAL APPLICATION**



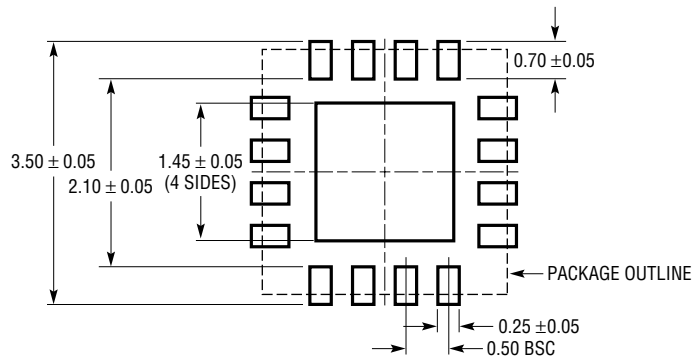
**LINEAR TECHNOLOGY CORPORATION**

**TOP SILKSCREEN**

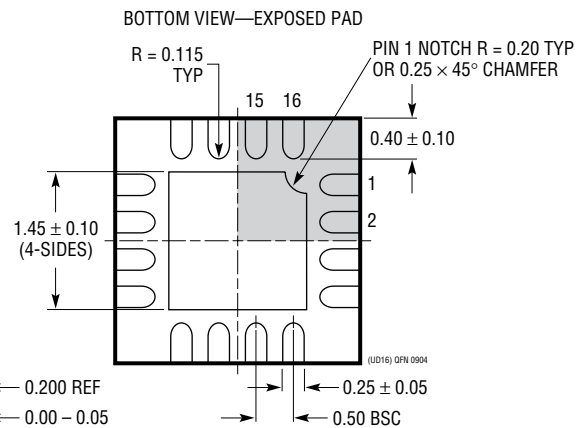
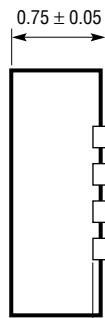
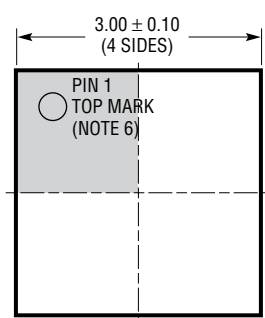
800A REV 2  
11/08/04

# PACKAGE DESCRIPTION

## UD Package 16-Lead Plastic QFN (3mm × 3mm) (Reference LTC DWG # 05-08-1691)



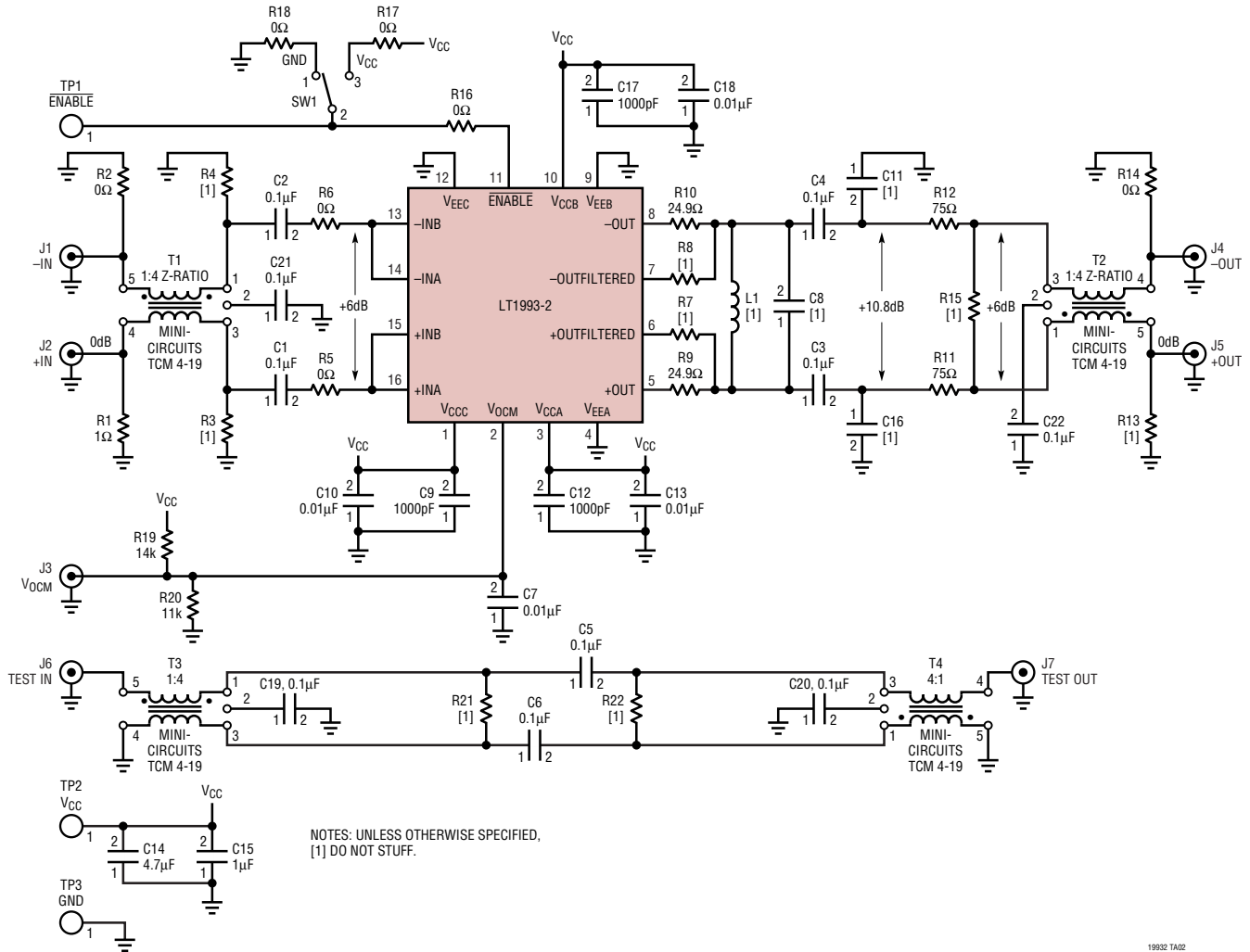
RECOMMENDED SOLDER PAD PITCH AND DIMENSIONS



- NOTE:
1. DRAWING CONFORMS TO JEDEC PACKAGE OUTLINE MO-220 VARIATION (WEED-2)
  2. DRAWING NOT TO SCALE
  3. ALL DIMENSIONS ARE IN MILLIMETERS
  4. DIMENSIONS OF EXPOSED PAD ON BOTTOM OF PACKAGE DO NOT INCLUDE MOLD FLASH. MOLD FLASH, IF PRESENT, SHALL NOT EXCEED 0.15mm ON ANY SIDE
  5. EXPOSED PAD SHALL BE SOLDER PLATED
  6. SHADED AREA IS ONLY A REFERENCE FOR PIN 1 LOCATION ON THE TOP AND BOTTOM OF PACKAGE

TYPICAL APPLICATION

Demo Circuit DC800A Schematic  
(AC Test Circuit)



19932 TA02

RELATED PARTS

PART NUMBER	DESCRIPTION	COMMENTS
LT1993-4	900MHz Differential Amplifier/ADC Driver	$A_V = 4V/V$ , $NF = 14.5dB$ , $OIP3 = 40dBm$ at 70MHz
LT1993-10	700MHz Differential Amplifier/ADC Driver	$A_V = 10V/V$ , $NF = 12.7dB$ , $OIP3 = 40dBm$ at 70MHz
LT5514	Ultralow Distortion IF Amplifier/ADC Driver	Digitally Controlled Gain Output $IP3$ 47dBm at 100MHz
LT6600-2.5	Very Low Noise Differential Amplifier and 2.5MHz Lowpass Filter	86dB S/N with 3V Supply, SO-8 Package
LT6600-5	Very Low Noise Differential Amplifier and 5MHz Lowpass Filter	82dB S/N with 3V Supply, SO-8 Package
LT6600-10	Very Low Noise Differential Amplifier and 10MHz Lowpass Filter	82dB S/N with 3V Supply, SO-8 Package
LT6600-20	Very Low Noise Differential Amplifier and 20MHz Lowpass Filter	76dB S/N with 3V Supply, SO-8 Package

19932fa